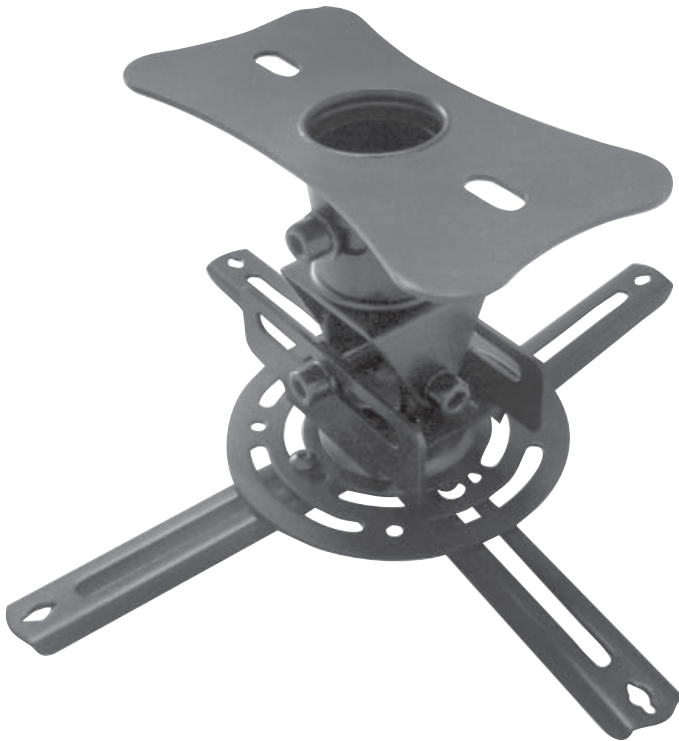


Projector Flush Mount



Model: **OCM818W-RU / OCM818B-RU**

User Operation Guide

IMPORTANT NOTES

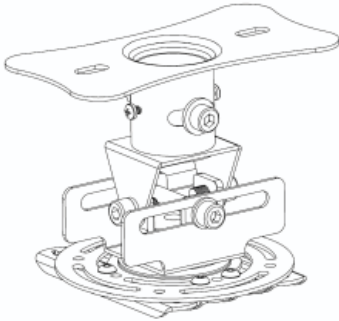
- Thank you for purchasing the Projector Flush Mount. This bracket is suitable for most projectors up to a load of 15kg (33 lbs).
- To ensure correct usage, please read this instruction manual thoroughly. Keep this manual for future reference.
- BRACKETS SHOULD BE MOUNTED ONLY BY A QUALIFIED INSTALLER.
- User will be responsible for any injuries and damages that may arise from improper installation and handling of Projector Flush Mounting Kit.
- Ensure all mounting screws are appropriately positioned and properly tighten/ fastened.
- Installers are to ensure customer's safety during installation.
- We reserve the right to amend or undertake any necessary changes without prior notice.
- Ensure the Ceiling can support the total weight of the Projector and the Projector Flush Mount.
- All bolts and screws must be used at the designated points as per installation instructions to prevent damage to the projector unit, or injury.
- DO NOT install near an air conditioner or where there is excessive dust and smoke.

SPECIFICATION

Net Weight	: 1.2 kg (2.6 lbs)
Dimension	: 168 x 138 x 126 mm (6.6" x 5.4" x 5")
Load Capacity	: 15 kg (33 lbs)

Please read these instructions before commencing installation as faulty installation could result in injury. Optoma assumes no responsibility for faulty installations.

Package Checklist (Each package should contain the parts listed and shown below)



Flush Mount Assembly (x1)

Parts Bag

A		M4 x 15 Cross Recessed Screw	4 pcs
B		M4 x 20 Cross Recessed Screw	4 pcs
C		M4 x 25 Cross Recessed Screw	4 pcs
D		M5 x 15 Cross Recessed Screw	4 pcs
E		M5 x 20 Cross Recessed Screw	4 pcs
F		M5 x 25 Cross Recessed Screw	4 pcs
G		M6 x 15 Cross Recessed Screw	4 pcs
H		M6 x 20 Cross Recessed Screw	4 pcs
I		M6 x 25 Cross Recessed Screw	4 pcs
J		1mm Washer	4 pcs
K		2mm Washer	4 pcs
L		4mm Washer	4 pcs
M		Bottom Spacer	4 pcs
N1		M5 x 10 Socket Button Screw	4 pcs
N2		Square Nut	4 pcs

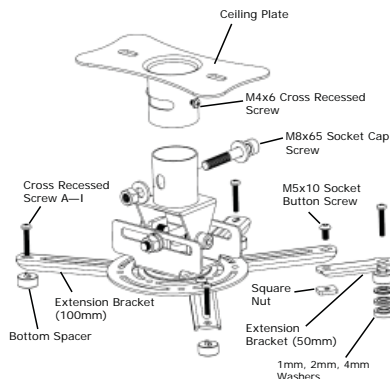
a		M3 x 15 Cross Recessed Screw	4 pcs
b		M3 x 20 Cross Recessed Screw	4 pcs
c		M3 Flat Washer	4 pcs
d		Extension Bracket (50mm)	4 pcs

Tools Included

	3mm Allen Key	1 pc
	6mm Allen Key	1 pc

Tools Required for mount assembly

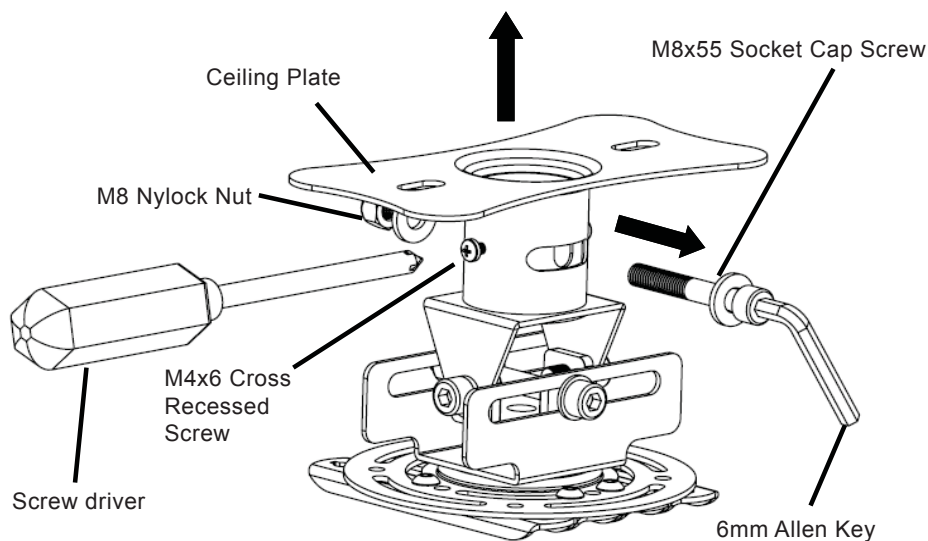
- 1x Star / Philips Screw Driver
- 1x 13mm Spanner



User Operation Guide

(A) Removing the Ceiling Plate from the Flush Mount Assembly:

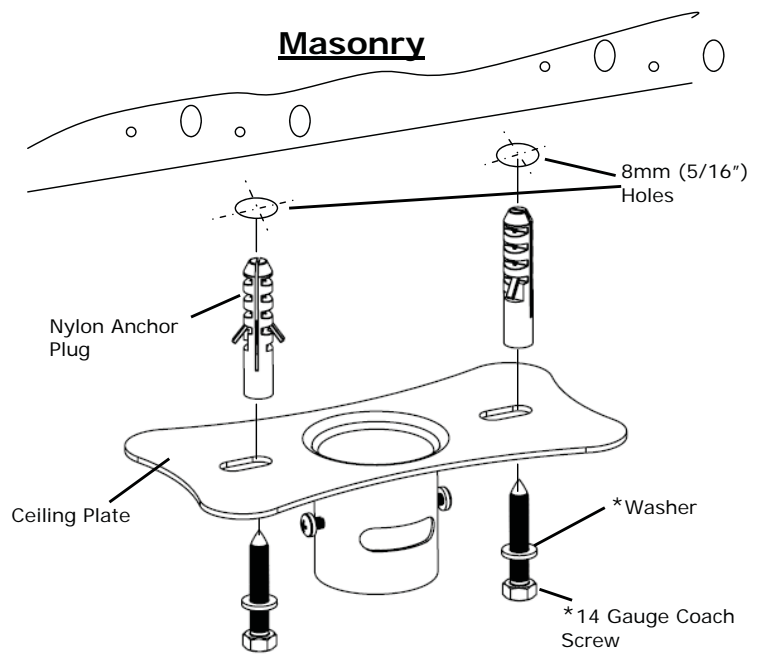
1. Loosen the M4x6 (x2) Cross Recessed Screw with a screw driver
2. Remove the M8x55 Socket Cap Screw and Nylock Nut from the Flush Mount Assembly as shown.
3. Removing the Ceiling Plate from the Flush Mount Assembly.



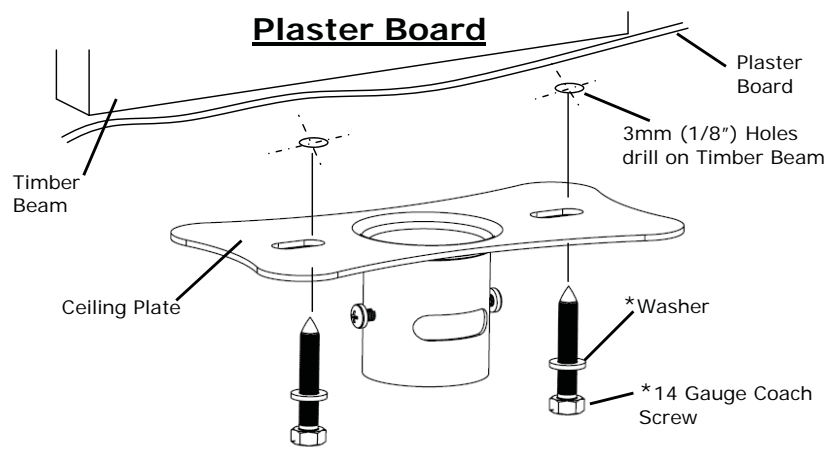
(B) Installing the Ceiling Plate:

Choose the appropriate installation procedure depending on your ceiling type.

Masonry



Plaster Board

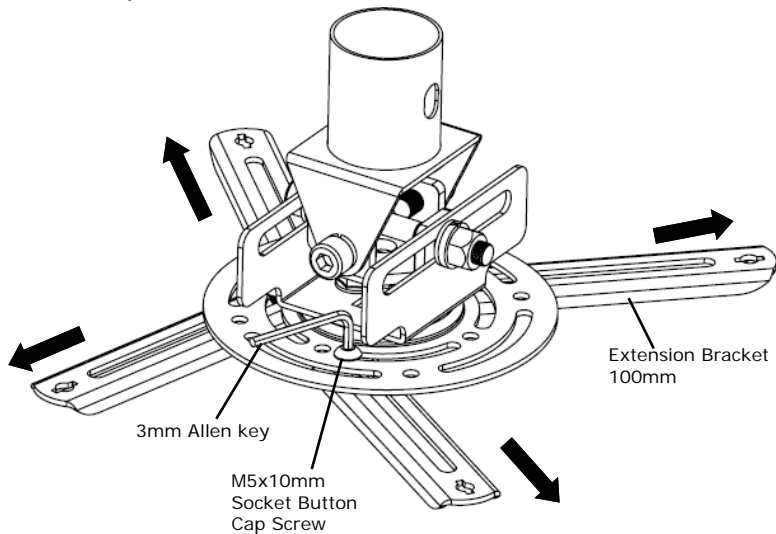


* Plug and Screws are only for recommendation, not supplied within package

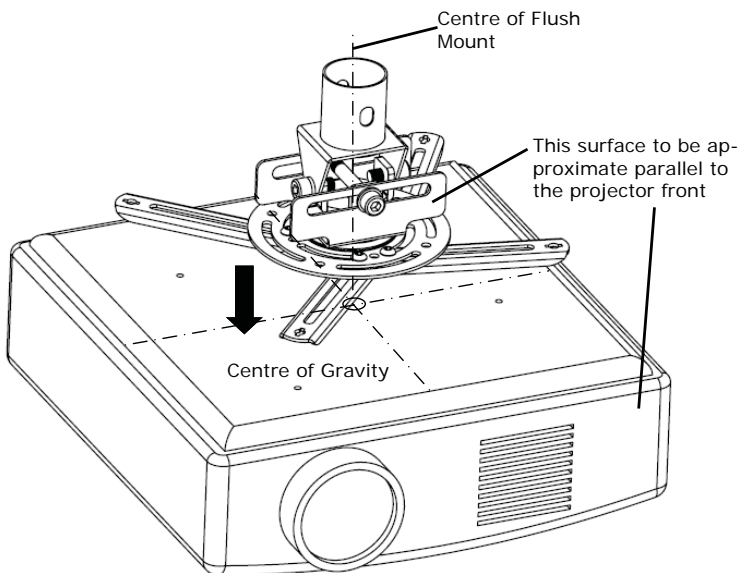
User Operation Guide

(C) Attaching the Flush Mount Assembly to the projector:

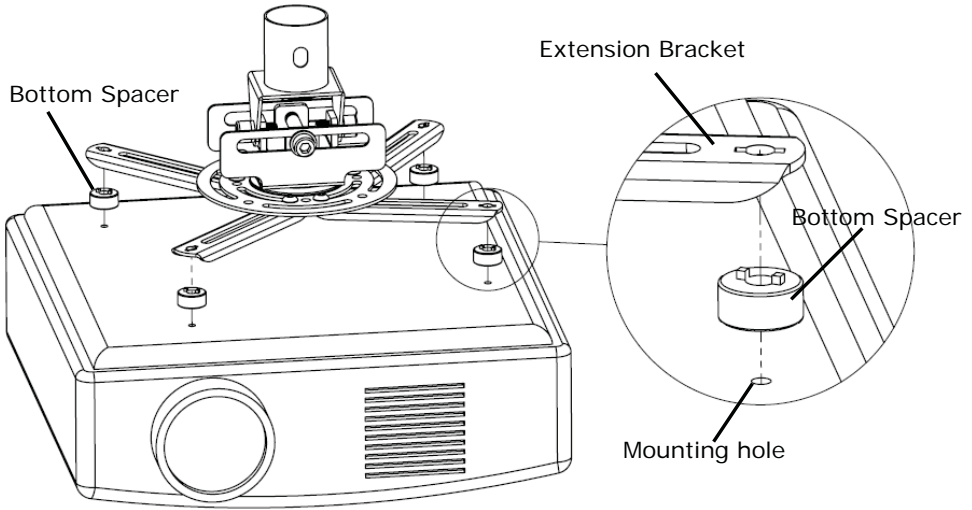
C.1— Loosen the M5x10mm Socket Button Cap Screws using the 3mm Allen key until you can slide the extension brackets freely, as shown.



C.2— Place projector's Flush Mount Assembly over the projector and align the centre of the Flush Mount with the projector's approximate Centre of Gravity.

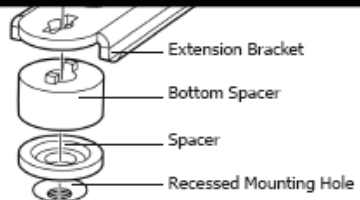


C.3— Place the Bottom Spacers in between the Extension Brackets and the Projector, and align the mounting holes as shown below.



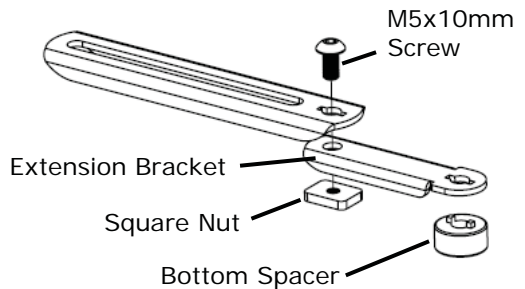
NOTE

If the mounting holes on your projector are recessed, you may need to use the additional spacers supplied in the parts bag. Please select the appropriate spacers according to the design of your projector.



Note 2:

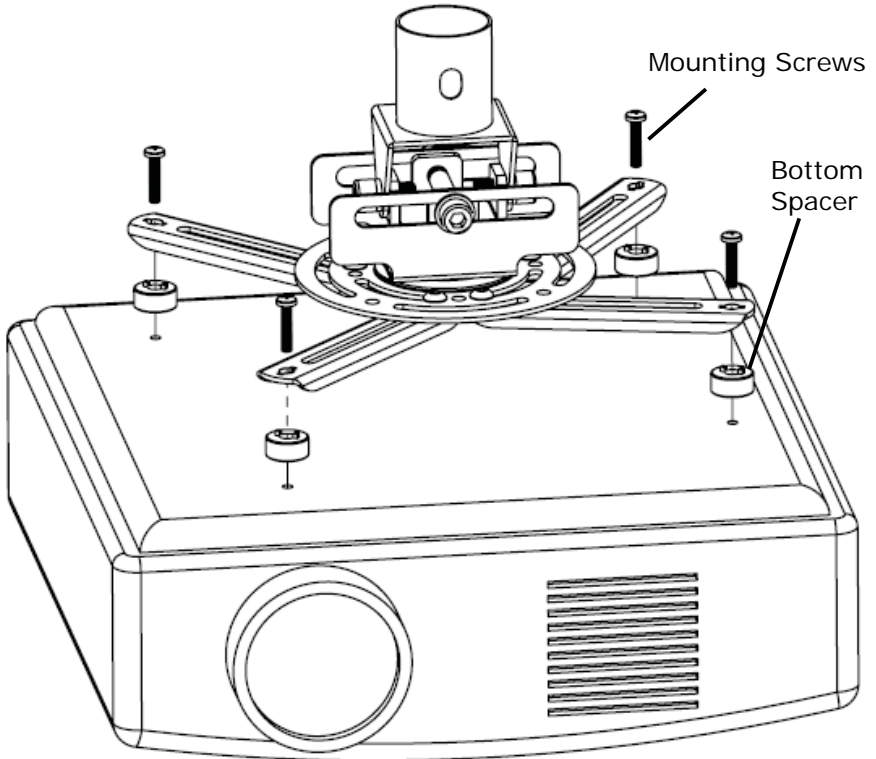
If you cannot align the 100mm Extension Bracket to the mounting hole on your projector, you may need to use the additional 50mm Extension Brackets shown in the diagram on the right.



User Operation Guide

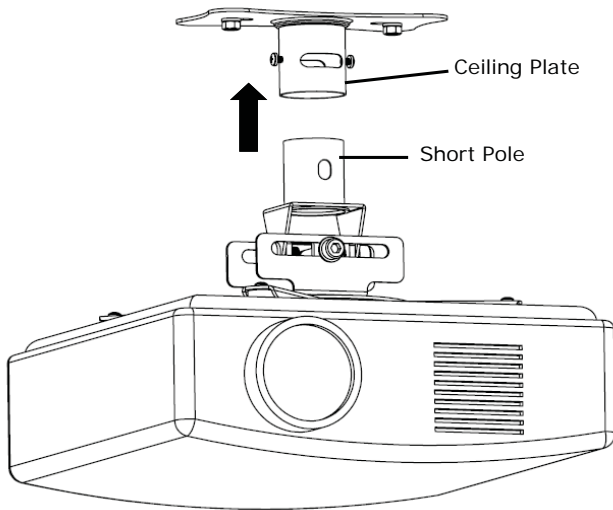
C.4— Select the correct Mounting Screws from the Parts bag and firmly screw the Flush Mount Assembly onto your Projector.

Once this is done, the Projector Flush Mount Assembly is ready to be mounted onto the Ceiling Plate.

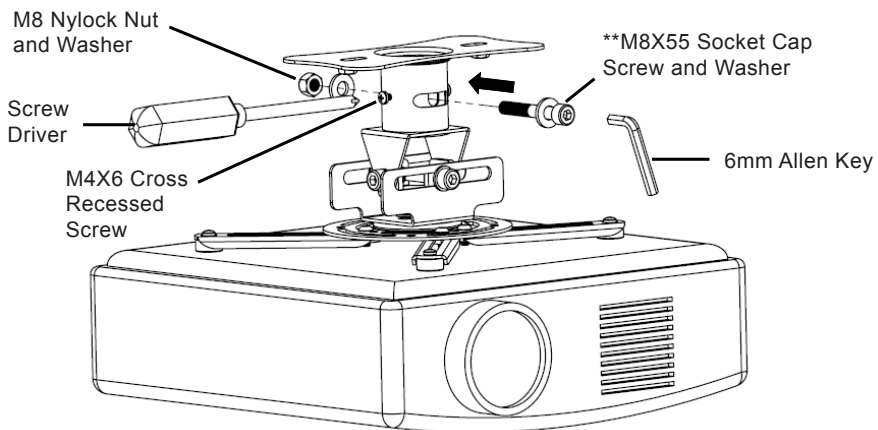


(D) Attaching the Flush Mount Assembly to the Ceiling Plate

D.1— Connect the Short Pole to the Ceiling Plate as shown be-



D.2— Insert the M8x55 Socket Cap Screw into the slot on the Ceiling Plate to lock the Flush Mount Assembly with the M8 Nylock Nut. Tighten the M4x5 Cross Recessed Screws to balance the Flush Mount Assembly.

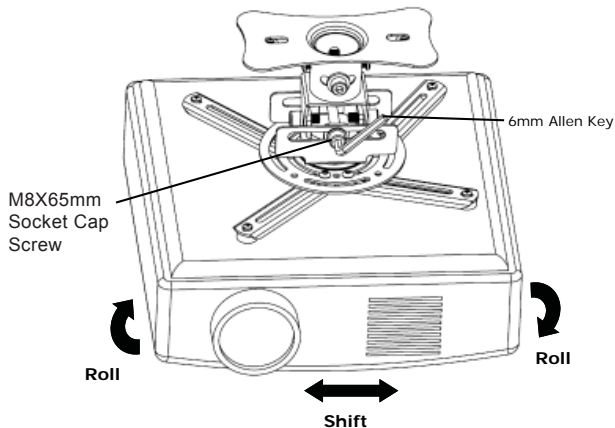


Tip: When the Projector required servicing, remove the Projector via the easy disconnection point** to save time.

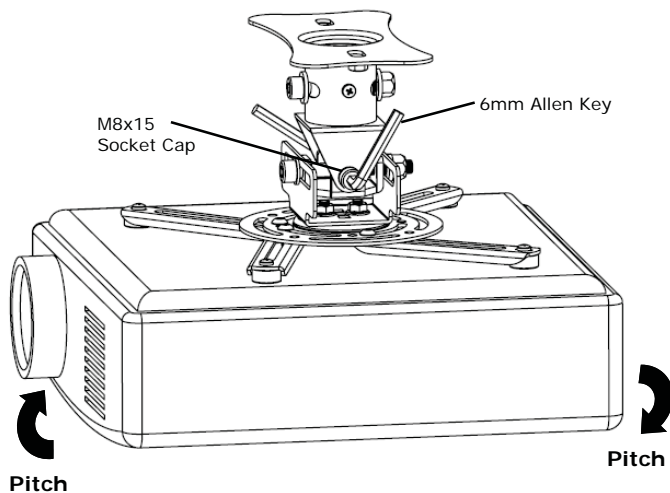
User Operation Guide

(E) Adjusting the Projector

Roll / Shift Adjustments — to make Roll/Shift adjustments, first ensure the weight of the Projector is supported. Then loosen the M8x65mm Socket Cap Screw with the supplied 6mm Allen Key and adjust to your desired position. Re tighten the screws firmly.



Pitch Adjustment — to make Pitch adjustments, first ensure the weight of the Projector is supported. Then loosen the M8x15mm Socket Cap Screws with the supplied 6mm Allen Key and adjust your projector to the desired position, then tighten the screws firmly.





Due to continuing product development, the manufacturer reserves the right to alter specifications without notice. Published: 24.01.2014